



भारतीय विज्ञान शिक्षा एवं अनुसंधान संस्थान तिरुपति

INDIAN INSTITUTE OF SCIENCE EDUCATION AND RESEARCH TIRUPATI

Transit campus: Sree Rama Engineering College Campus, Rami Reddy Nagar, Karakambadi Road, Mangalam (B.O), Tirupati - 517 507

Website: <http://www.iisertirupati.ac.in/>

CLARIFICATION ON TENDER NUMBER: IISERT/PUR/0148/22

ITEM DESCRIPTION- SUPPLY AND INSTALLATION OF HOSTEL FURNITURE AT IISER TIRUPATI PERMANENT CAMPUS

Refer our Tender No: IISERT/PUR/0148/22 dated **30th-June-2022** Supply and Installation of Hostel Furniture at IISER Tirupati permanent campus.

The pre-Bid meeting was held on **July 5th, 2022** at 16:00 Via Google Meet and the minutes of the meeting are as under.

At the outset, the Deputy Registrar (A&P) welcomed all the Members and the representative of the Prospective Bidders and briefed in general the scope of the Project and thereafter briefed the vendors on the salient features of the commercial terms and the indenting Officer to read out the clarification sought by the Prospective Bidders and replied thereto as detailed in **Annexure-I**

The representatives present were satisfied with the replies given and it was informed that the corrections/additions / clarifications given, as discussed during the Pre-Bid Conference would be hosted on the website of IISER Tirupati and all the Prospective Bidders are required to take cognizance of the proceedings of the Pre-Bid Conference before submitting their bids as stipulated in the Bidding Documents.

The other terms & conditions of the notice issued on our IISER website <http://www.iisertirupati.ac.in/> will remain unchanged. No more correspondence in this regard will be entertained

The meeting ended with a vote of thanks

08/07/2022

Sd/-
Deputy Registrar (A&P)



भारतीय विज्ञान शिक्षा एवं अनुसंधान संस्थान तिरुपति
INDIAN INSTITUTE OF SCIENCE EDUCATION AND RESEARCH TIRUPATI

Transit campus: Sree Rama Engineering College Campus, Rami Reddy Nagar, Karakambadi Road, Mangalam (B.O), Tirupati - 517 507
Website: <http://www.iisertirupati.ac.in/>

Annexure - I

PRE-BID CONFERENCE FOR - SUPPLY AND INSTALLATION OF HOSTEL FURNITURE AT IISER TIRUPATI PERMANENT CAMPUS

QUERIES AND CLARIFICATION

TENDER NUMBER - IISERT/PUR/0148/22

DATE: 05/07/2022

Sr.No	Query/Clarification Sought	Clarification / Amendment
1	Can we give any colour for mockup/sample after qualifying in the technical bid.	The color for the mockup can be decided by the bidder, but once the order is placed to the successful bidder, the institute shall decide the color shade for each furniture
2	Increase in delivery period and timelines	The delivery period has been amended to 60 days instead of 45 days .
3	The furniture manufacturer /bidder /distributor /retailer /reseller should have an organized service set up based at Tirupati (or) within a vicinity of 300 km. Whether it has to be within Andhra Pradesh	The service setup can be outside Andhra Pradesh but within 300 km radius from IISER Tirupati and also deliver on the 24 hr deadline for service requirement
4	Is MSME exemption for experience is allowed	Subject to meeting the technical criteria as mentioned in the tender.
5	EMD – Details for submitting BG	The EMD in the form of BG is accepted and shall be as per the format provided in Annexure - II
6	EMD submittal of Hard copy to the Institute	The hard copy of the EMD submitted in the form of DD & BG must be submitted at the IISER Tirupati transit campus before the closing date and time of the tender. Any documents received after the closing date and time shall not be considered and such bids shall be summarily rejected.



भारतीय विज्ञान शिक्षा एवं अनुसंधान संस्थान तिरुपति

INDIAN INSTITUTE OF SCIENCE EDUCATION AND RESEARCH TIRUPATI

Transit campus: Sree Rama Engineering College Campus, Rami Reddy Nagar, Karakambadi Road, Mangalam (B.O), Tirupati - 517 507

Website: <http://www.iisertirupati.ac.in/>

Sr.No	Query/Clarification Sought	Clarification / Amendment
7	IISER Tirupati GST No.	37AAAAI9820P1Z4
8	Support for transportation to the successful bidders by IISER Tirupati	The transportation, loading, unloading, installation, etc. is in the scope of the bidder.
9	Knockdown components for Steel cot	Refer to Annexure - III for the pictorial exploded representation of the knock down components, remaining all parts shall remain welded.
10	Thickness of MDF board for Wall mounted book shelf. Dimension of the Wall mounted book shelf	The Thickness of the MDF Board to be read as 18mm instead of 20mm and the laminate shall remain 1mm thickness on all sides. The Inner dimension shall be maintained as depicted in the image provided in the tender dock
11	Knockdown components of Almirah	The Almirah should not have any knockdown components apart from the horizontal shelf provided in the Almirah, which shall be provided with sturdy adjustable support mechanism
12	Locking mechanism & Dimensions of Almirah	The locking mechanism to be read as 3-point locking system instead of cam lock . The dimensions of almirah are attached as Annexure - IV
13	BIFMA & Green guard certification exemption for MSME	No change. IISER Tirupati encourages Make-in India products, without compromising on the quality of the products. The certifications are environmental friendly & quality oriented but not restrictive



भारतीय विज्ञान शिक्षा एवं अनुसंधान संस्थान तिरुपति

INDIAN INSTITUTE OF SCIENCE EDUCATION AND RESEARCH TIRUPATI
Transit campus: Sree Rama Engineering College Campus, Rami Reddy Nagar,
Karakambadi Road, Mangalam (B.O), Tirupati - 517 507
Website: <http://www.iisertirupati.ac.in/>

Annexure II

BID SECURITY FORM

Whereas (Hereinafter called "the tenderer") has submitted their offer dated for the supply of (Hereinafter called "the tender") against the purchaser's tender enquiry No. _____

KNOW ALL MEN by these presents that WE (Name of bank) of (Name of country), having our registered office at (Address of bank) (Hereinafter called the "Bank"), are bound unto (Name of purchaser) (Hereinafter called "the purchaser") in the sum of for which payment will and truly to be made to the said Purchaser, the Bank binds itself, its successors, and assigns by these presents. Sealed with the Common Seal of the said Bank this day of..... 20.....

THE CONDITIONS OF THESE OBLIGATIONS ARE:

1. If the tenderer withdraws or amends, impairs or derogates from the tender in any respect within the period of validity of this tender.
2. If the tenderer has been notified of the acceptance of his tender by the Purchaser during the period of its validity.
3. If the tenderer fails to furnish the Performance Security for the due performance of the contract.
4. Fails or refuses to accept/execute the contract.

WE undertake to pay the Purchaser up to the above amount upon receipt of its first written demand, without the Purchaser having to substantiate its demand, provided that in its demand the purchase will note that the amount claimed by it is due to it, owing to the occurrence of one or both of the two conditions, specifying the occurred condition or conditions.

The guarantee shall remain in force up to and including Ninety (90) days after the period of the bid validity, and any demand in respect thereof should reach the Bank not later than the above date.

.....
(Signature of the authorized officer of the Bank)

Name and Designation of the Officer

Seal, Name & Address of the Bank and address of the branch



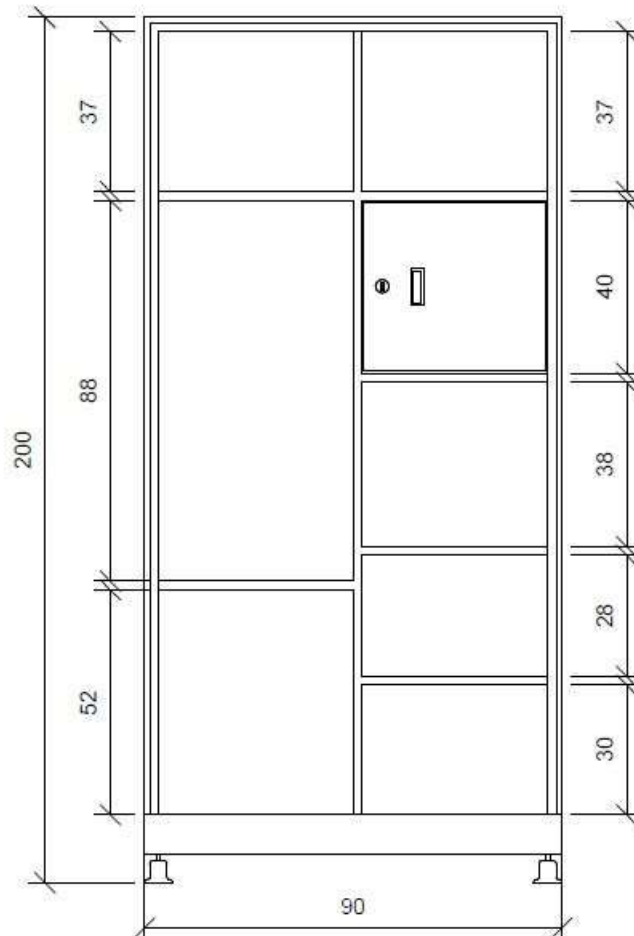
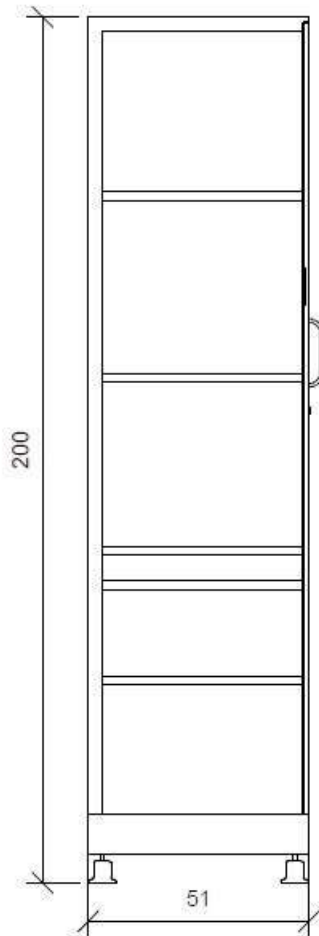
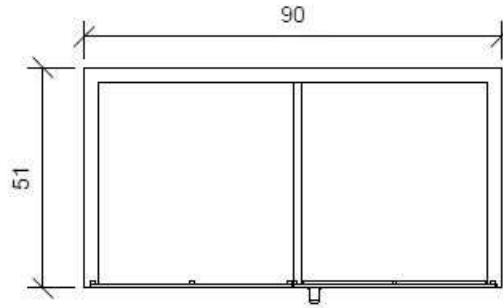
भारतीय विज्ञान शिक्षा एवं अनुसंधान संस्थान तिरुपति

INDIAN INSTITUTE OF SCIENCE EDUCATION AND RESEARCH TIRUPATI
Transit campus: Sree Rama Engineering College Campus, Rami Reddy Nagar,
Karakambadi Road, Mangalam (B.O), Tirupati - 517 507
Website: <http://www.iisertirupati.ac.in/>

Annexure III



Dimensions of Almirah



All dimensions are in cm