



भारतीय विज्ञान शिक्षा एवं अनुसंधान संस्थान तिरुपति

INDIAN INSTITUTE OF SCIENCE EDUCATION AND RESEARCH TIRUPATI

(An Autonomous Institute under Ministry of Human Resource Development, Govt. of India)
Transit Campus : Sree Rama Engineering College Campus, Karakambadi Road,
Mangalam B.O., Tirupati – 517 507, Andhra Pradesh, India.

No. 04/IISER/TIRUPATI/2017-18

Dated 09/01/2018

NOTICE INVITING QUOTATION

Sealed quotations are hereby invited by the undersigned on behalf of the Director, IISER Tirupati for the work mentioned below up to 3.00 PM on 22/01/2018 from approved and eligible specialized agencies, contractors & vendors as per the conditions given below. The quotations will be opened at 3.30 PM on the same day.

Name of Works: Providing storage cabinets at IISER Tirupati transit campus.

Issue to —

Name and address of the agency —



Terms and Conditions:

1. The agency should be either an Original Equipment Manufacturer (OEM) or authorized dealers of modular laboratory furniture.
2. Time period for completion of work shall be 45 days from the date of placing the work order by IISER .
3. The agency must be in existence in the business of modular laboratory furniture for a minimum period of 5 previous financial years (before or since 01 April 2012). Documentary evidences of experience must be provided.
4. The agency should have documentary evidence of having supplied at least 1 order of modular laboratory furniture to a Centrally Funded Technical Institution (IIT, NIT, IISc, IISER) in the last three years (01 April 2014 – 31 Dec 2017).
5. The agency must provide a certificate of satisfactory performance of the supplied equipment from the institute to which they have recently supplied. Contact details of the faculty-in-charge of the installed setup must also be provided.
6. The agency must have SEFA membership Certificates and should be attached along with the quote.
7. Test Report: Welded cabinets should be third party tested for SEFA 8M by NABL approved lab.

8. OEM/agency must have ISO 9001-2008, ISO 14001-2004, BS OSHAS 18001-2007 (For Design, Development, Manufacturing, Supply and Servicing) certifications should also be attached with along with the quotation.
9. Quotation can be obtained from IISER TIRUPATI office Building between 10 AM to 4 PM on all working days before date of submission.
10. All agencies need to submit their quotation in hard copy in a sealed envelope to this office by suitable means on and before 3.00 PM on 22/01/2018 on above mentioned address. Quotation received after the date & time specified above shall not be accepted. Any delays , postal delay etc. will not be entertained. Agency should quote for all the items in the in the BOQ .The bid shall be submitted in the original bid document (as issued by the IISER) super scribing the name of work.
11. Quotations will be opened on the same day at 3.30 PM in the presence of agency or their authorized representatives, if any. The offer of the agency should be commercially clear including acceptance of all terms and conditions of this Quotation by the agency and all the required documents shall be attached along with the quotation
12. IISER reserves the right to accept or reject the quotation/s without assigning any reasons.
13. Quotations submitted with any conditions shall be treated as conditional quotations and shall be summarily be rejected by IISER Tirupati.
14. Quoted rates should be inclusive of cost of all the materials, labour cost , all taxes, octroi , duties , cost of sample and fees towards testing of materials in labs ,royalties etc. complete. Nothing extra shall be paid separately.
15. The agency must provide the drawings of the storage cabinet with specifications and obtain prior approval before taking-up work.
16. The successful agency shall make his own arrangement for all Tools & tackles for work etc complete in view of completion of work. Electricity shall be provided free of cost to agency at one source, agency should make own arrangement to safely tap of power from source to work location. No advance payment shall be made by IISER Tirupati.
17. IT, WCT and other applicable taxes and cess will be deducted from the bills as of the work.
18. Agency to submit measurement and abstract sheets to IISER Tirupati for payments.


Assistant Engineer (Civil)
IISER Tirupati



Encl : - Schedule of Quantity (BOQ) — As per Annexure A

Sign & stamp of Agency

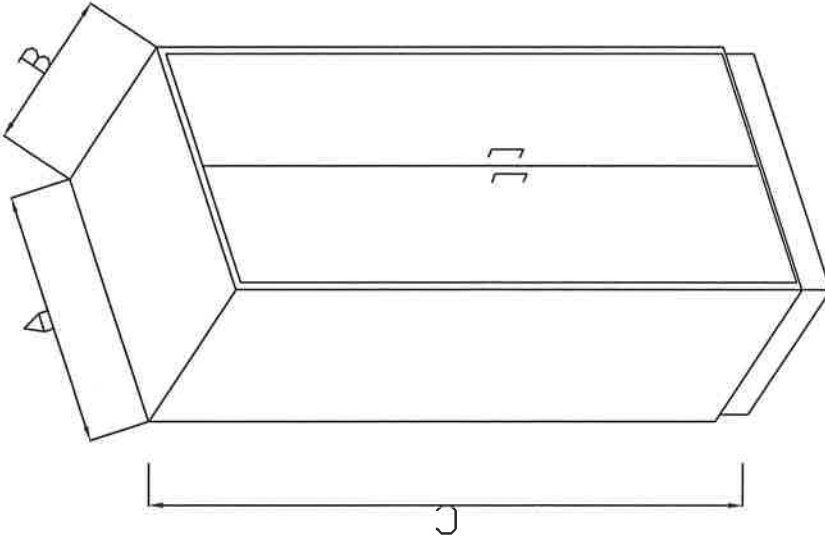
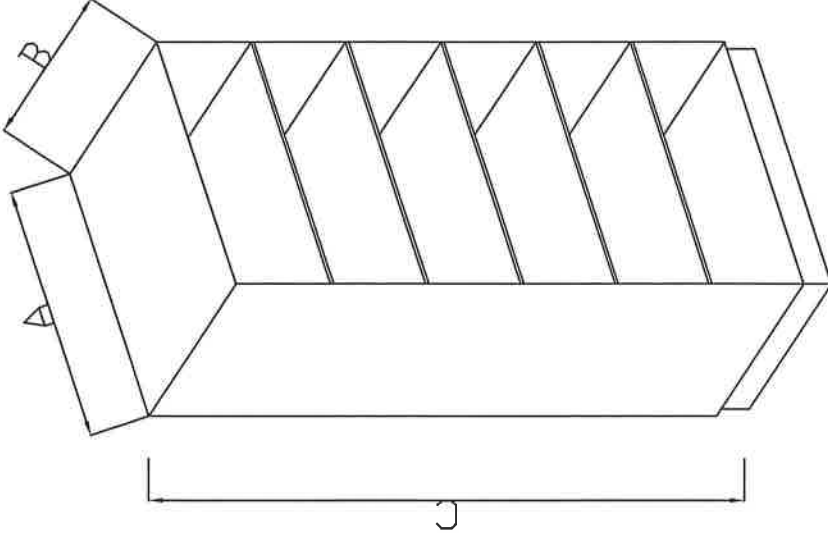
Annexure A

Name of work : Providing storage cabinets at IISER Tirupati transit campus					
NIQ NO : 04/IISER/TIRUPATI/2017-18					
Item No	Description of Item	Qty	Unit	Rate	Amount
1	Full height solid swing door cabinets				
	<p>Providing and supply of full height wall storage units made of CRCA steel with chemical resistance epoxy powder coating 60 micron thickness matt finish of approved colour and should be 1.2mm thick, double wall construction for side walls with sound dampening technology or side and back wrap around body with corner posts with holes to support shelf supports. Shelves shall be constructed from 1.0mm thick CRCA steel epoxy powder coated with all around 27mm strengthening edge, load capacity of 90 kg , height should be adjustable to optimise the storage space in side the cabinet. Doors should be made of 1.2mm thick CRCA/ galvanized steel, double skin construction with sound dampening technology. Doors should have 270° open able 3-axis adjustable hinge with integrated latch or SS 304 knuckle hinges with separate door catches. All overclosing door tops should be chamfered by 45°. to avoid collection of dust on it, for inclosing shutters square door profile is acceptable. All cabinets should have load carrying capacity of 90 kg per cabinet. All cabinets should have magnetic label to show details about it's content. All storage cabinets should be provided with interchangeable cylinder locks. A steel plinth should be integrated into the carcass with four screw feet for height adjustments (-5/+15 mm). Plinth height 90 mm. Rate is inclusive of cost of all materials and operations described above and in general specifications. Mode of measurement shall be in numbers as described below.</p>				
	900mm (w) x 560mm (d) x 2100mm (h) with 5 shelves	17	Nos		
	900mm (w) x 400mm (d) x 2100mm (h) with 5 shelves	3	Nos		
	600mm (w) x 400mm (d) x 2100mm (h) with 8 shelves (Single leaf door)	1	Nos		



Item No	Description of Item	Qty	Unit	Rate	Amount
2	Full Height Open Storage				
	Providing and supply of full height wall storage units made of CRCA steel with chemical resistance epoxy powder coating 60 micron thickness matt finish) of approved colour and should be 1.2mm thick, double wall construction for side walls with sound dampening technology or side and back wrap around body with corner posts with holes to support shelf supports. shelves shall be provided, constructed from 1.0mm thick CRCA steel with all around 27mm strengthening edge, load capacity of 90 kg/ shelf , height should be adjustable to optimise the storage space in side the cabinet. A steel plinth should be integrated into the carcass with four screw feet for height adjustments (-5/+15 mm). Plinth height 90 mm. The rate is inclusive of the cost of all materials, labour, all taxes etc. Finished item shall be measured in numbers.				
	900mm (w) x 560mm (d) x 2100mm (h) with 5 shelves	1	Nos		
	900mm (w) x 400mm (d) x 2100mm (h) with 5 shelves	1	Nos		
				Total	





A X B X C

TYPE 1 : 900 X 560 X 2100

TYPE 2 : 900 X 400 X 2100

TYPE 3 : 600 X 400 X 2100

(Single leaf door)

ALL DIMENSIONS ARE IN MM

